





f BIOBASE CHINA

in Biobase CHINA

t BIOBASE CHINA

# BIOBASE®



No.51 South Gongye Road, Jinan, China    0086-531-81219803/1    0086-531-81219804    export@biobase.com

## Laboratory Furniture Design And Solution

BIOBASE always adheres to the mission of "service for health, for the future" and promote company's culture vigorously.



Note: All rights reserved. Specifications, terms and pictures on the catalogue are subject to change. Please consult us for more products information.

Biobase Meihua Trading Co., Ltd  
Biobase Biodustry(Shandong) Co., Ltd



# About Us

Founded in 1999, having 2000 employees (till September, 2017), BIOBASE is a new high-tech enterprise focusing on development, production and management of scientific equipment, In Vitro Diagnosis (IVD) instrument and reagent.

BIOBASE is specialized in products of 8 areas include medical diagnosis, biosafety protection, disinfection and sterilization, water purification system, infant care products, cold chain products, software products, clean room project.

Gathering up a professional team of experts, scholars as well as other scientific research personnels, our company has obtained patents and expanded marketing for multiple products such as the self-developed Biochemistry analyzer, 107 kinds of Reagents, Automatic Elisa processor, Medical sterilization instrument and Biosafety protection equipment.

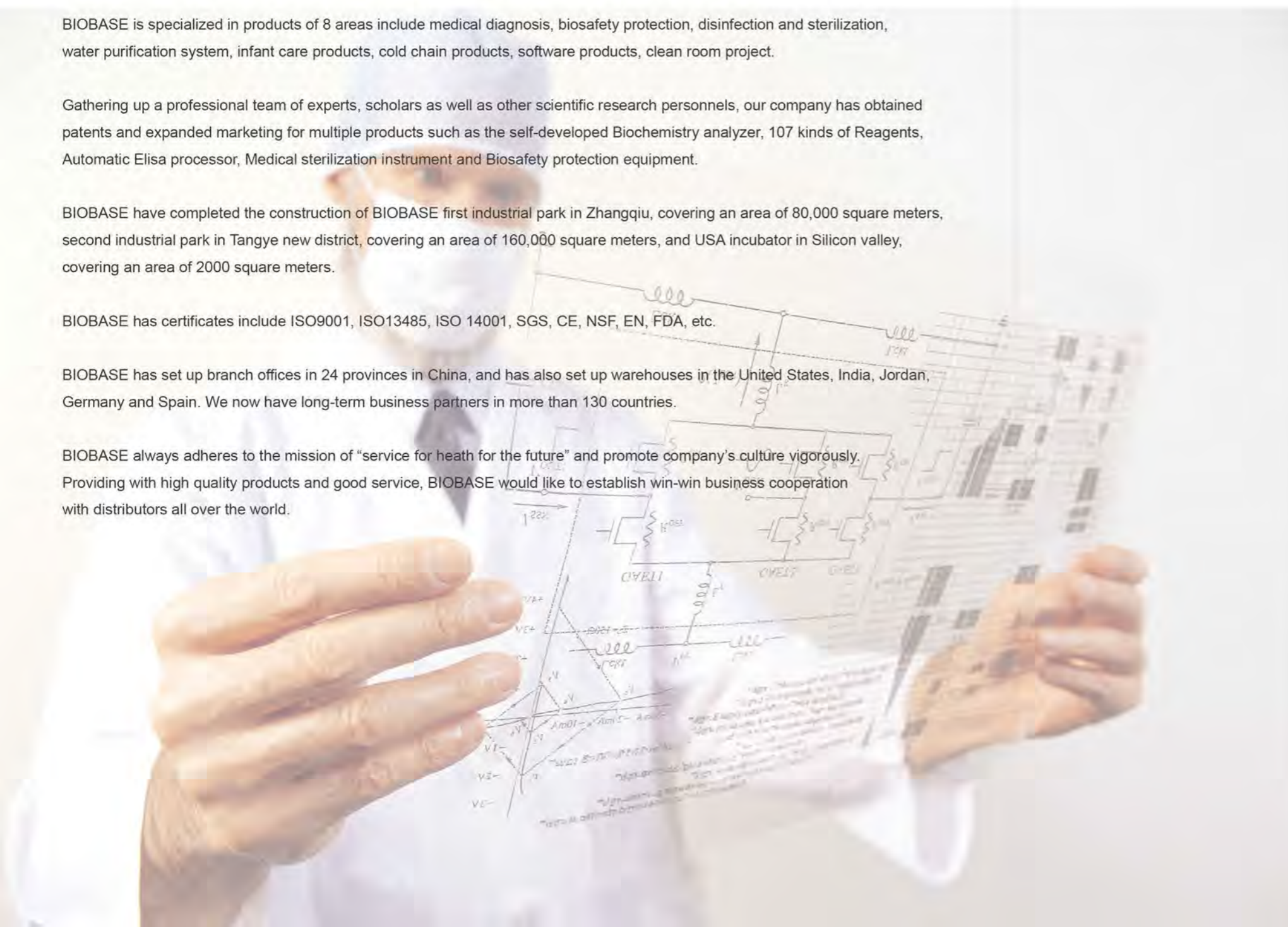
BIOBASE have completed the construction of BIOBASE first industrial park in Zhangqiu, covering an area of 80,000 square meters, second industrial park in Tangye new district, covering an area of 160,000 square meters, and USA incubator in Silicon valley, covering an area of 2000 square meters.

BIOBASE has certificates include ISO9001, ISO13485, ISO 14001, SGS, CE, NSF, EN, FDA, etc.

BIOBASE has set up branch offices in 24 provinces in China, and has also set up warehouses in the United States, India, Jordan, Germany and Spain. We now have long-term business partners in more than 130 countries.

BIOBASE always adheres to the mission of "service for health for the future" and promote company's culture vigorously. Providing with high quality products and good service, BIOBASE would like to establish win-win business cooperation with distributors all over the world.

01	<b>Safety Storage Cabinet</b> Flammable Chemicals Storage Cabinet Combustible Chemicals Storage Cabinet Weak Acid and Alkali Chemicals Storage Cabinet Strong Acid & Alkali Storage Cabinet	1
02	<b>Fume Extractor</b>	3
03	<b>Eye Washer</b> Deck Mounted Eye Washer Removable Eye Washer Wall Mounted Eye Washer Wall Mounted Shower Eye Washer Combination Emergency Shower Eye Washer	4
04	<b>Faucet, sink, test tube rack</b> Pegboard Gas Valve Lab Water Faucet Reagent Shelf PP Sink	6
05	<b>Central experiment desk</b> Experimental Edge Bench Balance Table Experimental Central Bench	13
06	<b>Sample cabinets and file cabinets</b> Wall Cabinet Vessel Cabinet Reagent Cabinet File Cabinet Sample Cabinet Medicine Cabinet	18
07	<b>Shoebboxes and shoe cabinet</b> Trash Can Shoe Cabinet Shoe Cover Machine Wardrobe	21





## Safety Storage Cabinet

### Features:

1. Two-layer anti-fire steel plate with 38mm between two steel plates for insulation.
2. Main body material: 1.2mm steel plate painted with epoxy resin.
3. Safety: Three-linkage lock. The door has two keys and is available to use padlock which realize safe management of double-locked with two key holders.
4. 50mm height anti-leakage liquid tank ensures no liquid overflow.
5. Specific warning labels for different kinds of safety storage cabinet.
6. Installed with double air vents which are set with anti-fire devices.
7. Adjustable anti-leakage shelves.



## Y. Flammable Chemicals Storage Cabinet

### Technical Parameters:

Model	BKSC-4Y	BKSC-12Y	BKSC-22Y	BKSC-30Y	BKSC-45Y	BKSC-60Y	BKSC-90Y
Capacity	4 gallon(15L)	12 gallon(45L)	22 gallon(83L)	30 gallon(114L)	45 gallon(170L)	60 gallon(227L)	90 gallon(340L)
Material	Double-layer anti-fire cold-rolled steel			Double-layer anti-fire steel			
Adjustable Shelf	1 pc		3 pcs	1 pc	2 pcs		
Door	Single/Manual			Double/Manual			
External Size (W*D*H) mm	430*430*560	590*460*890	600*460*1650	1090*460*1120	1090*460*1650	860*860*1650	1090*860*1650
Package Size (W*D*H) mm	480*480*590	650*520*1040	660*520*1800	1150*520*1270	1150*520*1800	920*920*1800	1150*920*1800
Gross Weight	34kg	60kg	90kg	100kg	138kg	165kg	190kg

BIOBASE series yellow safety cabinet for storing all kinds of flammable materials, with flashing point below 45°C.

## R. Combustible Chemicals Storage Cabinet

### Technical Parameters:

Model	BKSC-4R	BKSC-12R	BKSC-22R	BKSC-30R	BKSC-45R	BKSC-60R	BKSC-90R
Capacity	4 gallon(15L)	12 gallon(45L)	22 gallon(83L)	30 gallon(114L)	45 gallon(170L)	60 gallon(227L)	90 gallon(340L)
Material	Double-layer anti-fire cold-rolled steel			Double-layer anti-fire steel			
Adjustable Shelf	1 pc		3 pcs	1 pc	2 pcs		
Door	Single/Manual			Double/Manual			
External Size (W*D*H) mm	430*430*560	590*460*890	600*460*1650	1090*460*1120	1090*460*1650	860*860*1650	1090*860*1650
Package Size (W*D*H) mm	480*480*590	650*520*1040	660*520*1800	1150*520*1270	1150*520*1800	920*920*1800	1150*920*1800
Gross Weight	34kg	60kg	90kg	100kg	138kg	165kg	190kg

BIOBASE series red safety cabinet for storing various kinds of flammable materials with flashing points above 45°C.

## B. Weak Acid and Alkali Chemicals Storage Cabinet

### Technical Parameters:

Model	BKSC-4B	BKSC-12B	BKSC-22B	BKSC-30B	BKSC-45B	BKSC-60B	BKSC-90B
Capacity	4 gallon(15L)	12 gallon(45L)	22 gallon(83L)	30 gallon(114L)	45 gallon(170L)	60 gallon(227L)	90 gallon(340L)
Material	Double-layer anti-fire steel						
Adjustable Shelf	1 pc		3 pcs	1 pc	2 pcs		
Door	Single/Manual			Double/Manual			
External Size (W*D*H) mm	430*430*560	590*460*890	600*460*1650	1090*460*1120	1090*460*1650	860*860*1650	1090*860*1650
Package Size (W*D*H) mm	480*480*590	650*520*1040	660*520*1800	1150*520*1270	1150*520*1800	920*920*1800	1150*920*1800
Gross Weight	34kg	60kg	90kg	100kg	138kg	165kg	190kg

## Strong Acid & Alkali Storage Cabinet

### Features:

1. Padlock design.
2. Adjustable shelves.
3. Anti-corrosive materials for strong acid and alkali.



### Technical Parameters:

Model	BKSC-4P	BKSC-12P	BKSC-28P	BKSC-30P	BKSC-45P
Capacity	4 gallon(15L)	12 gallon(45L)	28 gallon(105L)	30 gallon(114L)	45 gallon(170L)
Material	PP				
Adjustable shelf	1 pc				
Door	Single/Manual		Double/Manual		
External Size (W*D*H)	430*430*560mm	590*460*890mm	910*600*900mm	1090*460*1120mm	1090*460*1650mm
Package Size (W*D*H)	510*510*610mm	670*552*1075mm	1020*950*1400mm	1170*540*1300mm	1190*560*1830mm
Gross Weight	15kg	35kg	60kg	70kg	102kg



## Fume Extractor

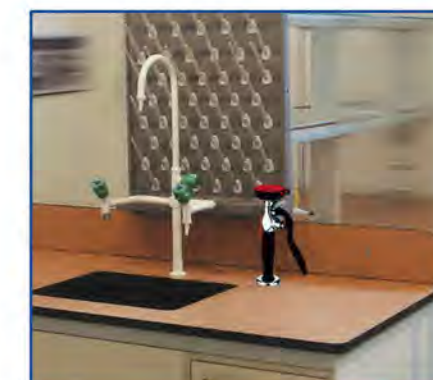
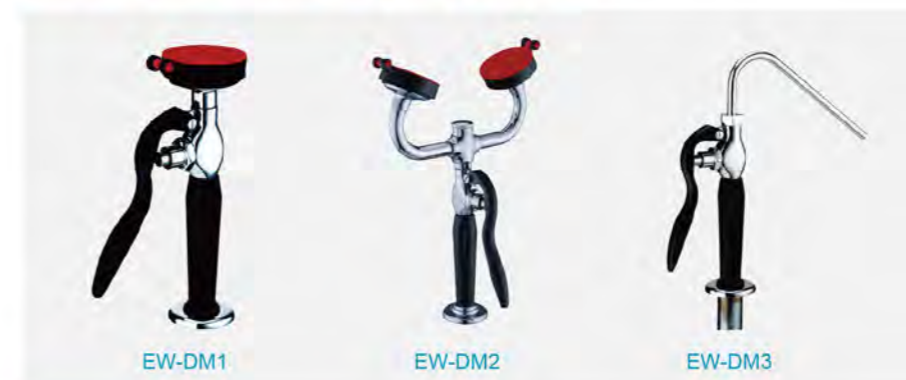


### Technical Parameters:

Model	FE-W1	FE-C1	FE-W2	FE-C2	FE-A1
Type	Wall	Ceiling	Wall	Ceiling	Ceiling
Joint Seal Ring	Anti-aging high-density rubber				
Support Spring/Center Bolt	Stainless steel 304				
Air Flow Control Valve	Adjust external valve knob manually				
Joint	PP, 360° swiveled				
Arch/Cup Gas-collecting Hood	D375/200mm, PP			PP/PC	
Installation Bracket	PP			Injection of plastics from a complete mold	
Adjustable Joint Knob	PP, molded-in brass nut locking with center bolt			Rass material, embedded stainless steel bearing, locked lever in joints	
Tube	D110mm, PVC	D75mm, PVC/PP		D75mm, aluminum alloy	
Gross Weight	12kg	7kg	8kg	7kg	
Package Size(W*D*H)	1160*500*320mm	880*290*260mm	960*370*250mm 400*400*170mm		960*370*240mm

## Eye Washer

### Deck Mounted Eye Washer



### Features:

1. Max. working pressure: 7Bar
2. Valve: None-return valve, shut off automatically
3. Hose: Length 1.4m, PVC with stainless steel net
4. Sprayer head: Soft rubber, softened water spray for eye protection
5. Switch: Automatic trigger locking for easy hand-free use
6. Dust shield cap: PP, removed automatically when eye washer is operated
7. Material: Solid thick brass with high gloss epoxy powder, resistant to chemicals, UV and heat.

### Removable Eye Washer

### Features:

1. Max. working pressure: Max. 7Bar
2. Soft Pipe: length 1.5m, pp material
3. Installing: Desk & wall mounted, can be also drew out
4. Sprayer head: Softened water spray for eye protection
5. Dust shield cap: Removed when eye washer is operated



EW-R2

### Features:

1. Switch: Automatic trigger locking for hand-free use
2. Body: Densely PP material. The valve can close automatically, safe seal
3. Flow control valve: Adjustable based on water pressure to adapt for the eyes.



EW-R3

### Wall Mounted Eye Washer

### Features:

1. Material: 304 stainless steel with Exquisite polished / Epoxy coating stainless steel with high gloss epoxy powder, resistant to chemicals, UV.
2. Eye washer bowl: stainless steel / PP bowl, water bore is made of PP (ABS shield cap), safe green, installing conveniently.
3. Sprayer head : water bore has been treated with; make the water more mild and abundant.
4. Switch: the sign of operation is near by the knob, operate simply.



EW-WM1





## Wall Mounted Shower Eye Washer



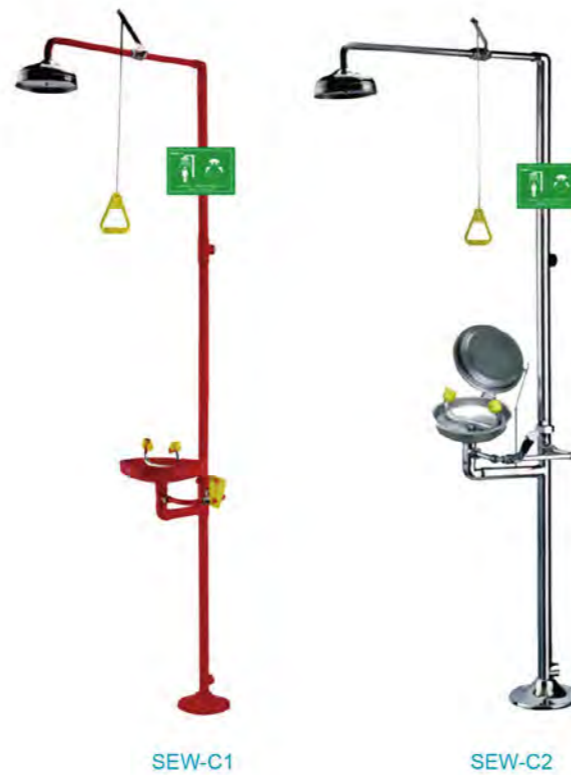
### Features:

1. Sprayer head: The flux of spray head shower&washer is ample, installing conveniently, saving space.
2. Tube: Stainless steel material, making the products firm and high quality, resistant to the chemicals.
3. Switch: The sign of operation is near by the knob, operate simply.

## Combination Emergency Shower Eye Washer

### Features:

1. Material: Stainless steel, firm and chemical resistant.
2. Eye washer is suitable for cleaning eyes, face and hands; the spray head can be use of washing the whole body.
3. Switch of the spray shower is controlled by the top of the handle, the flow is steady and ample.
4. Height of the bowl is condign, couple water bores humanistic design, the heigh and angle design is according to the proportion of the face.
5. Outlet water bore has been handled, making the water more mild, in order to protect the eyes from being harmed.
6. Valve-switch make the operation simple, when using only to touch the knob.
7. Drain directly, the used water flow directly through the tube which is in the bowl, no pollution.

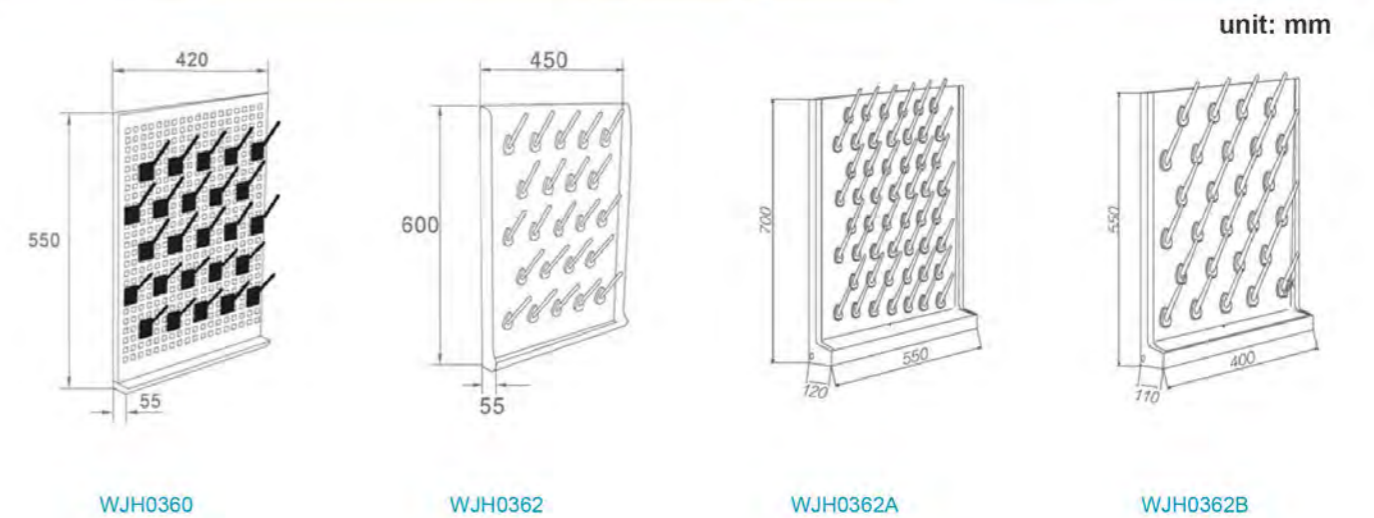


## Pegboard

### Features:

1. Materials include High grade PP and Stainless steel
2. There are two types: One-sided and two-sided.
3. It is equipped with drain hole in the bottom middle of the tray.
4. The peg is detachable, convenient for use.
5. Installation: Wall mounted/desk mounted

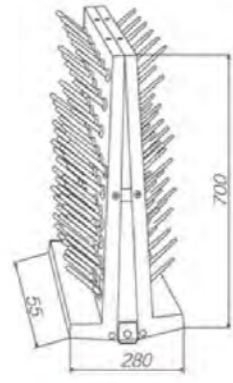
## One-sided Pegboard



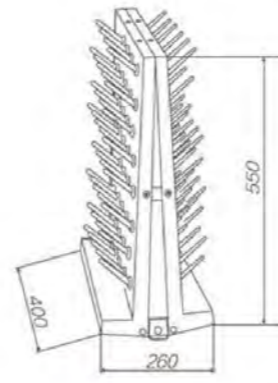


Two-sided pegboard

unit: mm



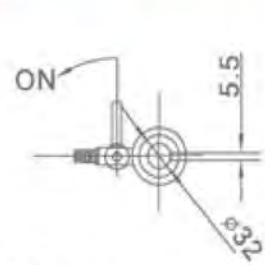
WJH0362AA



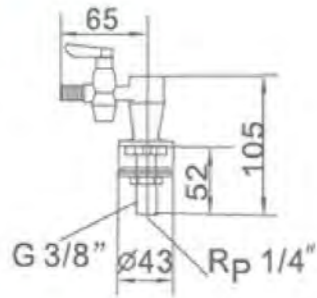
WJH0362BB

Gas Valve

Single Erect Gas Valve



unit: mm

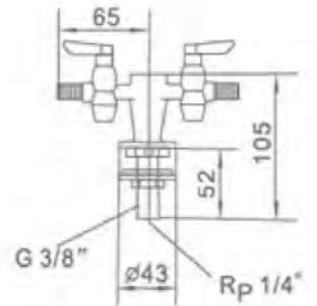


WJH0801A

Two Way Erect Gas Valve



unit: mm

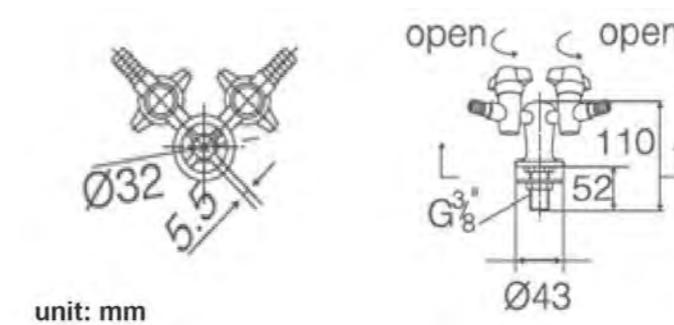
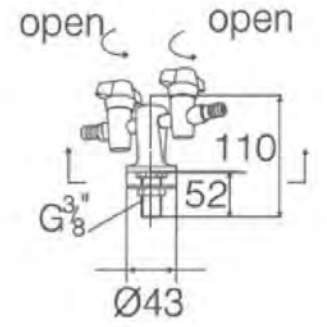


WJH0802AB



WJH0802AA1

unit: mm



unit: mm

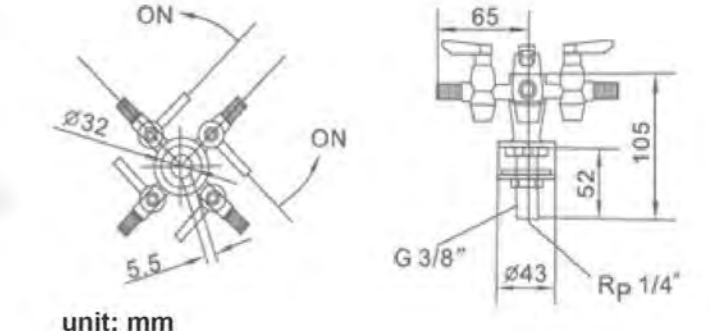


WJH0802AB1

Four Way Erect Gas Valve



WJH0804A



unit: mm

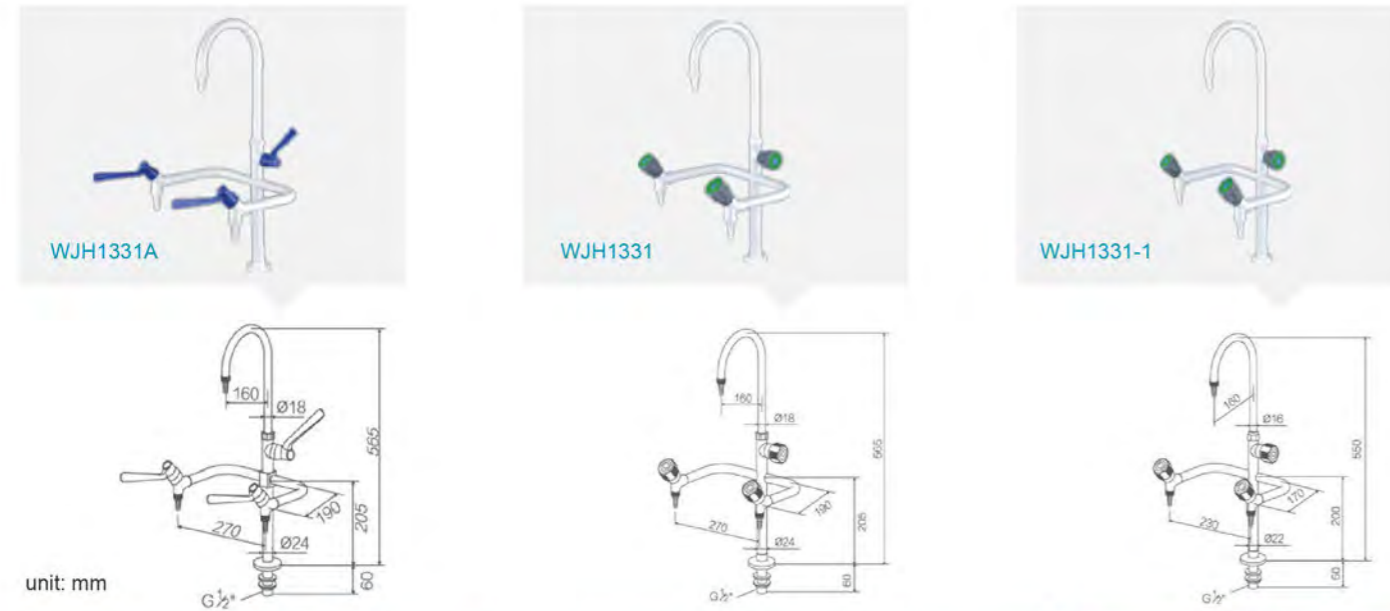


## Lab Water Faucet

### Features:

1. Metal: solid brass
2. Coating: Glossy epoxy powder, resistant to corrosion, heat and UV radiation
3. Ceramic valve: 500,000 times lifespan, max water static pressure is 35 bars
4. Detachable nozzle can add spare splash bubbler
5. Knob switch: high grade PP material, coincident with ergonomic design

## Three Way Water Faucet

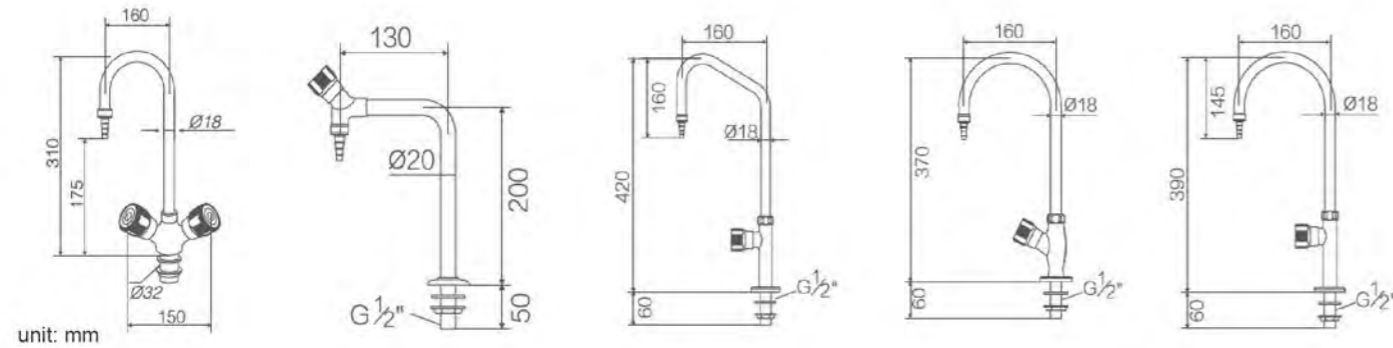
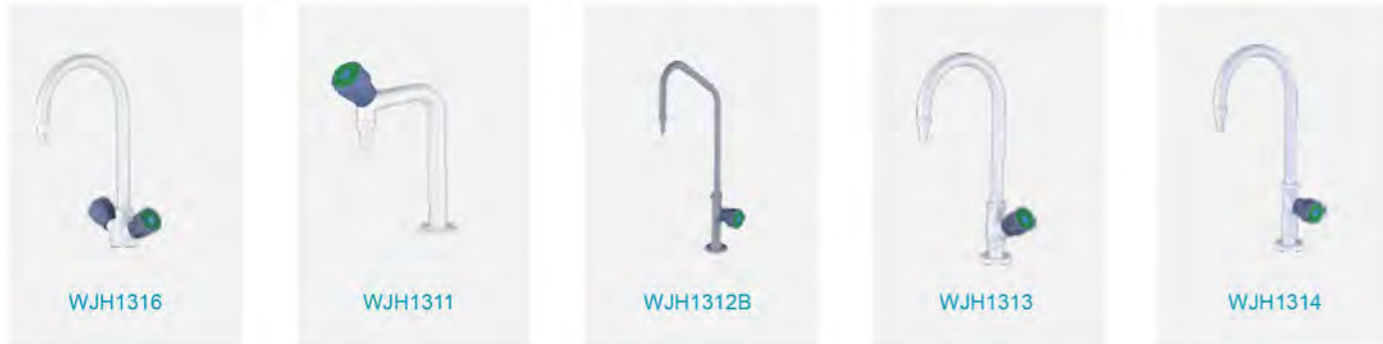


## Two Way Water Faucet



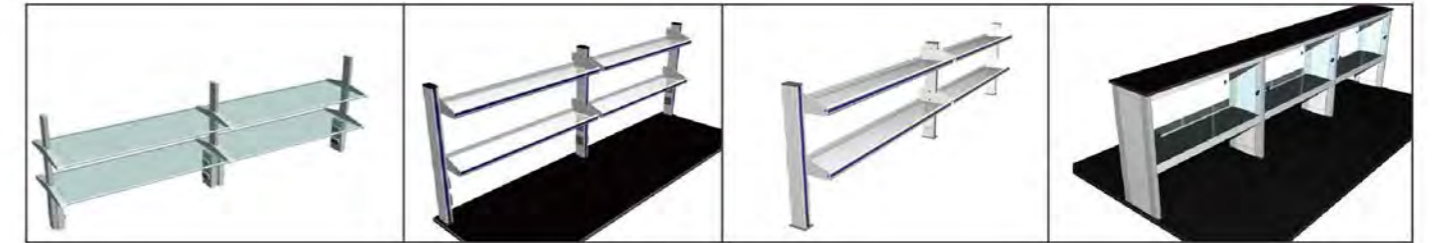


**Single Water Faucet**



unit: mm

**Reagent Shelf**



**PP Sink**



WJH0356

WJH0356A

WJH0356C

WJH0357B

**Features:**

1. The colors include black, white, grey
2. The material is high grade PP and is resistant to most chemicals
3. The finish is leather on lip which is resistant to scratch and consistent with most of worktops' finish



WJH0357

WJH0357C

WJH0357G

**Technical Parameters:**

Model	WJH0356	WJH0356A	WJH0356C	WJH0357B	WJH0357	WJH0357C	WJH0357G
Material	high grade PP						
Color	black, white, grey						
Surface Finish	Leather finish						
Internal Size(mm)	160*95*100	227*118*119	220*100*150	490*390*290	380*270*180	740*400*310	410*410*320
External Size(mm)	200*135*110	252*150*125	260*140*170	550*450*310	440*330*200	800*460*325	470*470*320



## Experimental Edge Bench

### PP Edge Bench



### Steel&Wood Edge Bench



## All-steel Edge Bench



## All-wood Edge Bench





### Balance Table



### Experimental Central Bench

#### PP Central Bench



### Steel&Wood Central Bench





### All-steel Central Bench



### All-wood Central Bench



### Wall Cabinet



### Vessel Cabinet





### Reagent Cabinet



### File Cabinet



### Sample Cabinet



### Medicine Cabinet





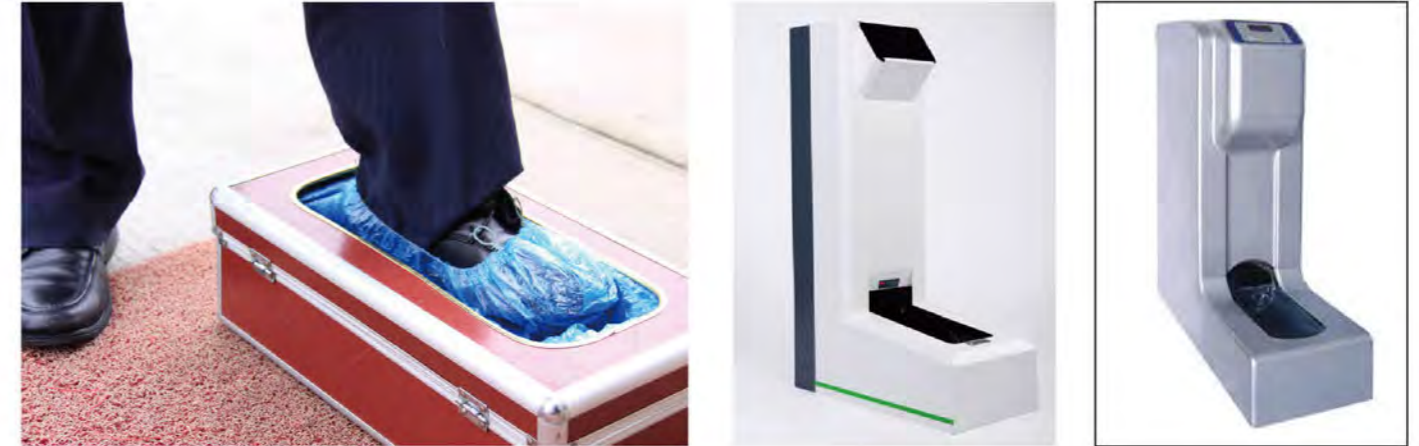
### Trash Can



### Shoe Cabinet



### Shoe Cover Machine



### Wardrobe

